

1-2325661-1 ✓ ACTIVE

LUMAWISE | LUMAWISE Endurance N

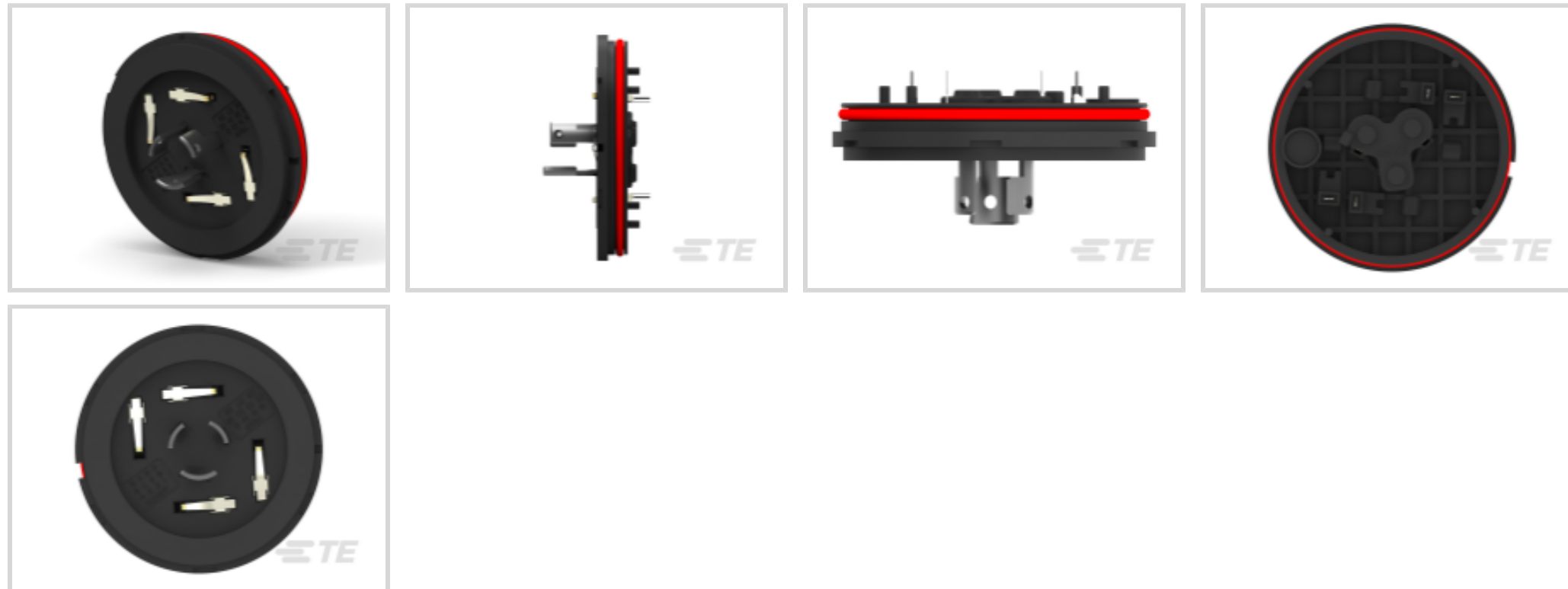
TE Internal #: 1-2325661-1

ANSI Street Lighting Base Assemblies, Black, Diameter 3 in [76 mm], Vented / Not Sleeve Compatible, 7 Position, Sealable, LUMAWISE Endurance N

[View on TE.com >](#)



Connectors > Lighting Connectors > Street Lighting Controls > ANSI Street Lighting Base Assemblies



Primary Product Color: **Black**

Product Diameter: **76 mm [3 in]**

Lighting Connector Features Included: **Not Sleeve Compatible, Vented**

Number of Positions: **7**

Sealable: **Yes**

Features

Product Type Features

Sealable	Yes
Connector & Contact Terminates To	Printed Circuit Board

Configuration Features

Lighting Connector Features Included	Not Sleeve Compatible, Vented
Number of Positions	7

Electrical Characteristics

Surge Protection	None
Operating Voltage	600 VAC

Body Features

Primary Product Color	Black
-----------------------	-------

Contact Features

Contact Mating Area Plating Material	Gold
Contact Current Rating (Max)	15 A



Dimensions

Product Diameter	76 mm[3 in]
------------------	-------------

Usage Conditions

Operating Temperature Range	-40 – 85 °C[-40 – 185 °F]
-----------------------------	---------------------------

Operation/Application

Circuit Application	Power & Signal
---------------------	----------------

Product Compliance

[For compliance documentation, visit the product page on TE.com>](#)

EU RoHS Directive 2011/65/EU	Compliant
EU ELV Directive 2000/53/EC	Compliant
China RoHS 2 Directive MIIT Order No 32, 2016	No Restricted Materials Above Threshold
EU REACH Regulation (EC) No. 1907/2006	Current ECHA Candidate List: JUNE 2022 (224) Candidate List Declared Against: JUL 2021 (219) Does not contain REACH SVHC
Halogen Content	Low Halogen - Br, Cl, F, I < 900 ppm per homogenous material. Also BFR/CFR/PVC Free
Solder Process Capability	Not reviewed for solder process capability


Product Compliance Disclaimer

This information is provided based on reasonable inquiry of our suppliers and represents our current actual knowledge based on the information they provided. This information is subject to change. The part numbers that TE has identified as EU RoHS compliant have a maximum concentration of 0.1% by weight in homogenous materials for lead, hexavalent chromium, mercury, PBB, PBDE, DBP, BBP, DEHP, DIBP, and 0.01% for cadmium, or qualify for an exemption to these limits as defined in the Annexes of Directive 2011/65/EU (RoHS2). Finished electrical and electronic equipment products will be CE marked as required by Directive 2011/65/EU. Components may not be CE marked. Additionally, the part numbers that TE has identified as EU ELV compliant have a maximum concentration of 0.1% by weight in homogenous materials for lead, hexavalent chromium, and mercury, and 0.01% for cadmium, or qualify for an exemption to these limits as defined in the Annexes of Directive 2000/53/EC (ELV). Regarding the REACH Regulation, the information TE provides on SVHC in articles for this part number is based on the latest European Chemicals Agency (ECHA) 'Guidance on requirements for substances in articles' posted at this URL: <https://echa.europa.eu/guidance-documents/guidance-on-reach>

Compatible Parts





TE Part # CAT-ST833-P5663
Photo Control Cover



TE Part # CAT-ST833-R2435
Dimming Receptacle, Rotatable



TE Part # CAT-ST833-R2435A
DIMMING RECEPTACLE



TE Part # CAT-ST833-L97A
Tool-Less Rotatable Dimming Receptacle



TE Part # 1-2311664-1
COVER, 76MM DIAMETER, 75MM HT, CLEAR



TE Part # 2-2311664-1
COVER, 76MMDIA, 75MM HT, W/ FLAT, SMOKE GRAY



TE Part # 2213717-2
Rcpt Assy, Dimmable Photocontrol, 150C, 3/4



TE Part # 2213785-1
RCPT ASSY, DIM PHOTO, 105C, 3/4, CONNECTORS



TE Part # 2213899-4
RCPT ASSY, DIMMABLE PHOTOCONTROL, 105C, 3/4



TE Part # 2311664-1
COVER, 76MM DIAMETER, 75MM HEIGHT



TE Part # 1-2314670-4
RCPT ASSY, DIMMABLE PHOTOCONTROL, 105C, 3/4



TE Part # 2-2213627-2
ASSY, ROT DIM REC 49.22MM 7 POS 150C



TE Part # 2213899-2
Rcpt Assy, Dimmable Photocontrol, 150C, 3/4



TE Part # 2314670-2
Rcpt Assy, Dimmable Photocontrol, 150C, 3/4



TE Part # 2376865-2
Rcpt Assy, w/ intg gasket; PC; dimm 3 /4



TE Part # 2376865-4
Rcpt Assy, w/ intg gasket; PC; dimm 3 /4



TE Part # 3-2213627-2
ASSEMBLY, ROT DIM REC 49.22MM 7 POS 150C



TE Part # 5-2213362-4
RCPT ASSY, DIM PHTCNTRL, 105C, 3/4, TINNED

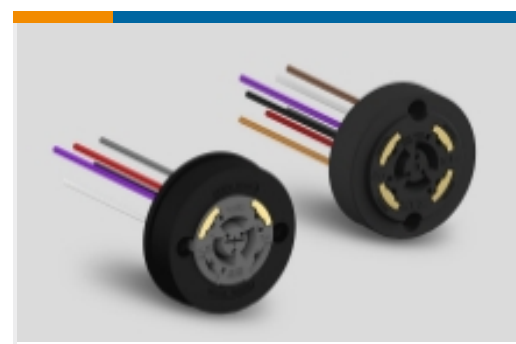
Also in the Series | LUMAWISE Endurance N



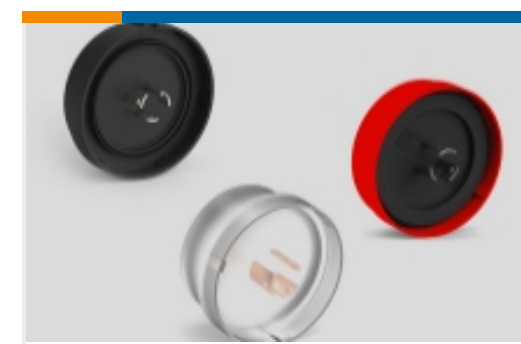
ANSI Street Lighting Accessories(17)



ANSI Street Lighting Base Assemblies (13)



ANSI Street Lighting Receptacles(25)



Street Lighting Open & Shorting Caps (3)



Street Lighting Power Management(6)

Documents

Product Drawings

LUMAWISE ENDURANCE N SHRTG CAP BASE VENT

English

CAD Files

Customer View Model

[ENG_CVM_CVM_1-2325661-1_A.3d_igs.zip](#)

English

Customer View Model

[ENG_CVM_CVM_1-2325661-1_A.3d_stp.zip](#)

English

Customer View Model

[ENG_CVM_CVM_1-2325661-1_A.2d_dxf.zip](#)

English

3D PDF

3D

By downloading the CAD file I accept and agree to the [Terms and Conditions](#) of use.

Datasheets & Catalog Pages

LUMAWISE STREET LIGHT DIMMING AND CONTROL QUICK REFERENCE GUIDE

English

LUMAWISE ENDURANCE N CONTROL BASE, SLEEVE AND COVER

LUMAWISE ENDURANCE N CONTROL BASE, SLEEVE AND COVER

English

Product Specifications

Application Specification



English

Agency Approvals

UL

English